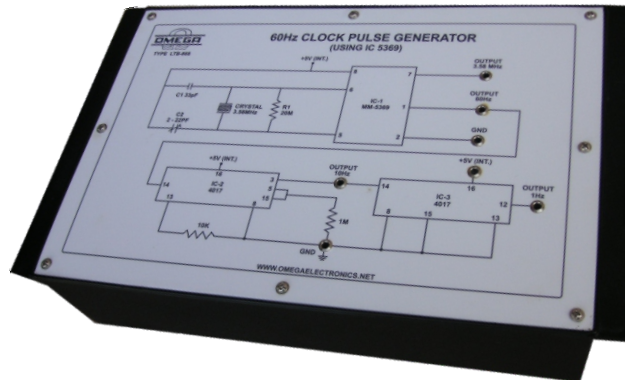


**60HZ CLOCK PULSE GENERATOR
(USING IC 5369)
OMEGA TYPE LTB-868**



OMEGA TYPE LTB-868 Computer Logic Training Board has been designed specifically for construction of 60Hz, 10Hz and 1Hz using IC 5369 and observe the output of 60Hz, 10Hz and 1Hz. Practical experience on this board carries great educative value for Science and Engineering Students.

OBJECT

To construct 60Hz, 10Hz & 1Hz Clock pulse generator using IC 5369 and observe the output of 60Hz, 10Hz & 1Hz.

FEATURES

The board consists of the following built in parts :

- 01 5V D.C. at 50mA IC regulated Power Supply internally connected.
- 02 IC precision time base for digital clock.
- 03 Two, Decade counter ICs.
- 04 Crystal of frequency 3.58 MHz
- 05 Adequate no. of other electronic components.
- 06 Mains ON/OFF switch, fuse and jewel light.
- 07 The Unit is operative on $230 \pm 10\%$ at 50Hz AC mains.
- 08 Good quality, reliable terminals/sockets are provided at appropriate places on panel for connections/observations.
- 09 Strongly supported by detailed Operating Instructions, giving details of Object, Theory, Design procedures, Report Suggestions and Book References.
- 10 Weight : 1.200 Kg. (Approx).
- 11 Dimension : W 340 x H 125 x D 210

OTHER APPARATUS REQUIRED:

- 01 Digital frequency counter OMEGA TYPE DFC-20M.
- 02 Dual trace CRO 20MHz OMEGA TYPE CRO-20

We are committed to the continuous development of our products, and therefore reserve the right to amend specifications without prior notice.

OMEGA ELECTRONICS