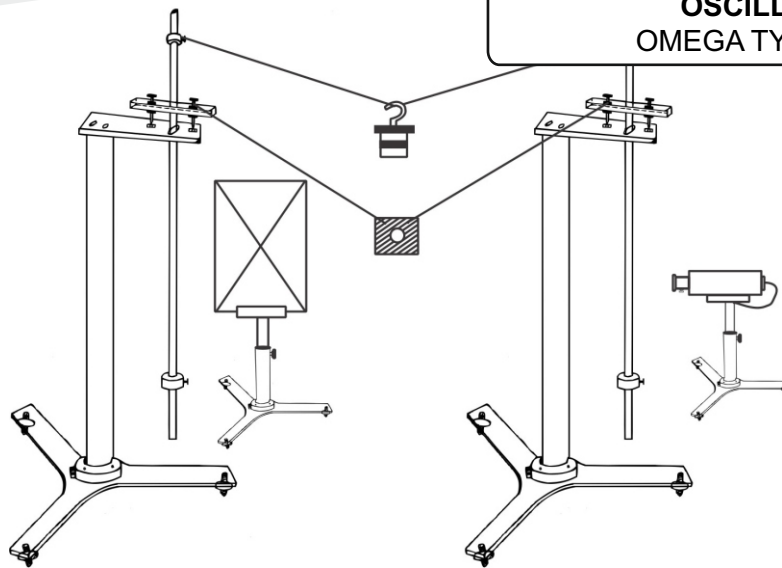


STUDY OF THE EXCITATION OF NORMAL MODES AND FREQUENCY SPLITTING MEASUREMENT USING COUPLED OSCILLATORS
OMEGA TYPE ES-240



OMEGA TYPE ES-240 Experimental Set Up has been designed specifically to study the excitation of normal modes and frequency splitting measurements using coupled oscillators. The set up is absolutely self contained and requires no other apparatus.

Practical experience on this set up carries great educative value for Science and Engineering Students.

OBJECT

01 To study the excitation of normal modes and frequency splitting measurements using coupled oscillators.

FEATURES

The Set up consists of the following :

01 Two Compound Pendulums, OMEGA TYPE CP-166. Each of these are essentially an aluminium rod of size 870mm approx., supported by two pin pivot arrangement on an aluminium stand. The centre of mass of the oscillatory system can be shifted by sliding masses above & below the pivot points. Brass Weight 2½"x1½" and 1½"x 1".

- 02 Coupling thread with various coupling loads of brass having one hanger 10gm and slotted weight of 10, 20, 20 & 50 gm one each.
- 03 Convergent lens.
- 04 Filament bulb on an adjustable stand.
- 05 Square paper screen size 8"x10" for Lissajous figures on an adjustable stand.
- 06 Digital Stop Clock OMEGA TYPE DSC-602 with START/STOP operation by means of toggle switch & RESET by a push button switch. It has a range of 999.9 seconds with resolution of 0.1 seconds and accuracy of ±0.01% (Quartz controlled). Display is thorough 4 no's of 12.5mm bright Seven Segment Displays and working voltage of the unit is 230V± 10% 50Hz.
- 07 Strongly supported by detailed Operating Instructions, giving details of Object, Theory, Design procedures, Report Suggestions and Book References.

We are committed to the continuous development of our products, and therefore reserve the right to amend specifications without prior notice.

OMEGA ELECTRONICS

Works:

28E & F, Malviya Industrial Area,
Jaipur-302 017 (INDIA)
Phone: 0141-2751559

E-mail : info@omegaelectronics.net
: omegajaipur62@gmail.com

www.omegaelectronics.net

Marketing Division:

B-28, Fateh Singh Scheme, Opp. Rajputana
Palace Sheraton, Jaipur-302006 (INDIA)
Phone : 091-141-2375647, 2379223